

Assembly Instructions

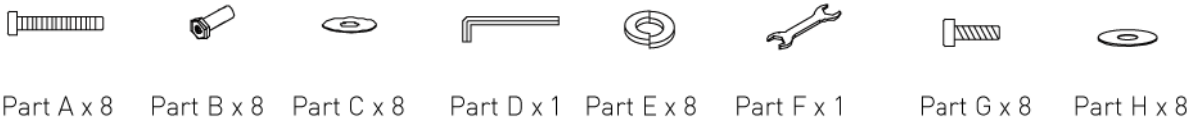
Ashton Bed

- Before you begin to assemble your new piece of furniture, please check to ensure that all parts have been supplied.
- Follow instructions closely as deviation from them may void your warranty and present a possible safety risk.
- It is recommended that assembly is done on a soft surface like carpet to avoid any damage.
- If you experience any problems with your new purchase please phone Freedom Customer Service (FCS) on 1300 135 588 (Customers outside Australia should contact their closest Freedom store.)

Care Information:

Periodically check and re-tighten all fasteners. Wipe down surfaces using a clean cloth weekly. Avoid direct sunlight.

Hardware

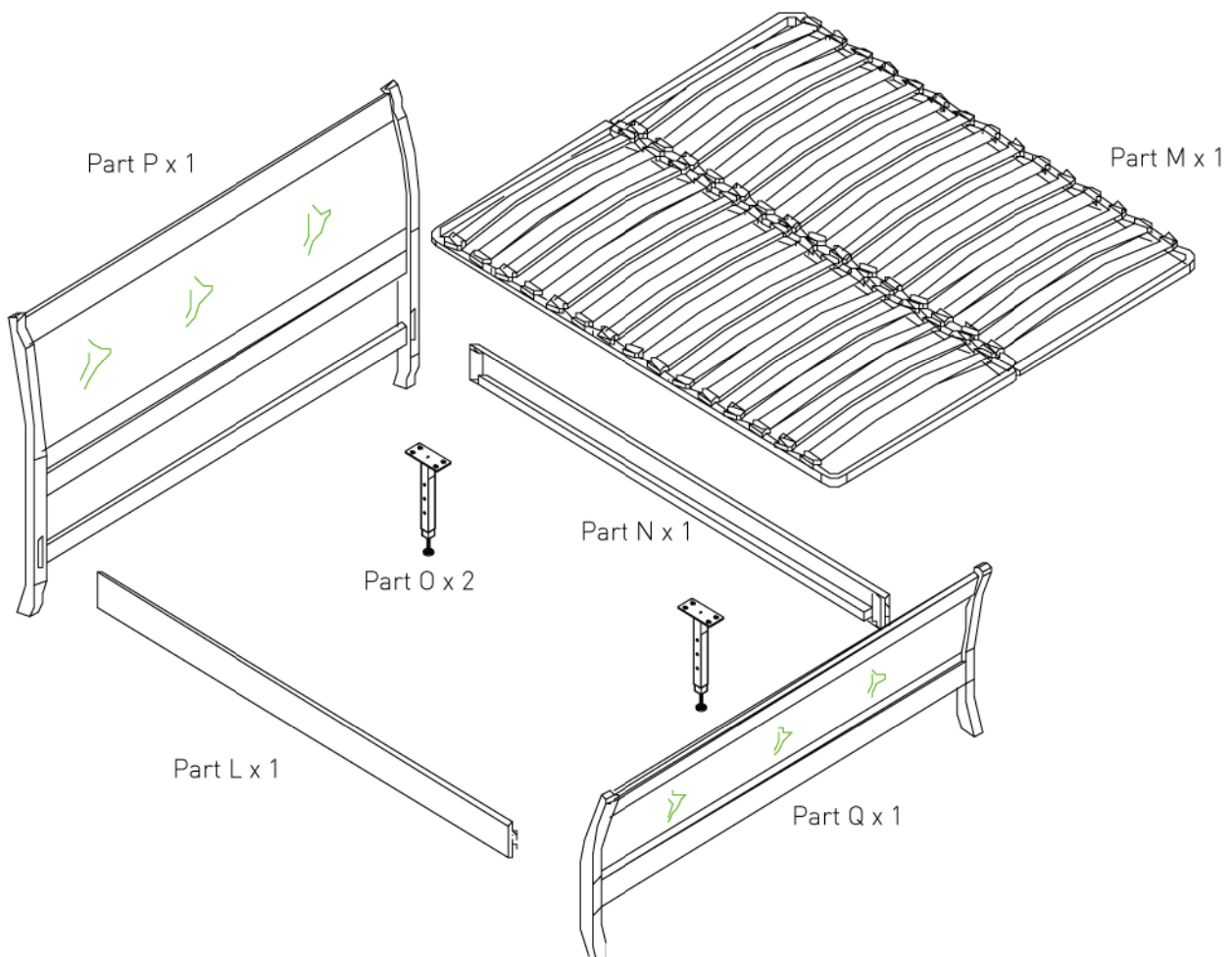


Additional Hardware



Rubber Mallet (Not Supplied)

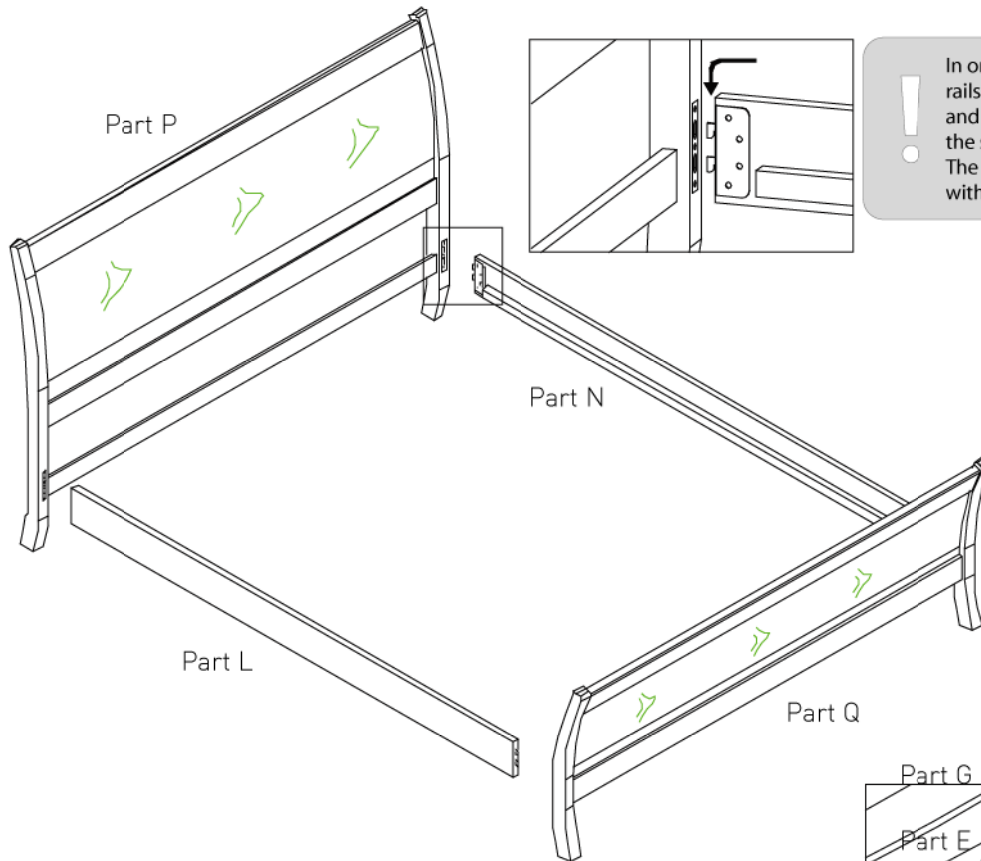
Parts



Assembly Instructions

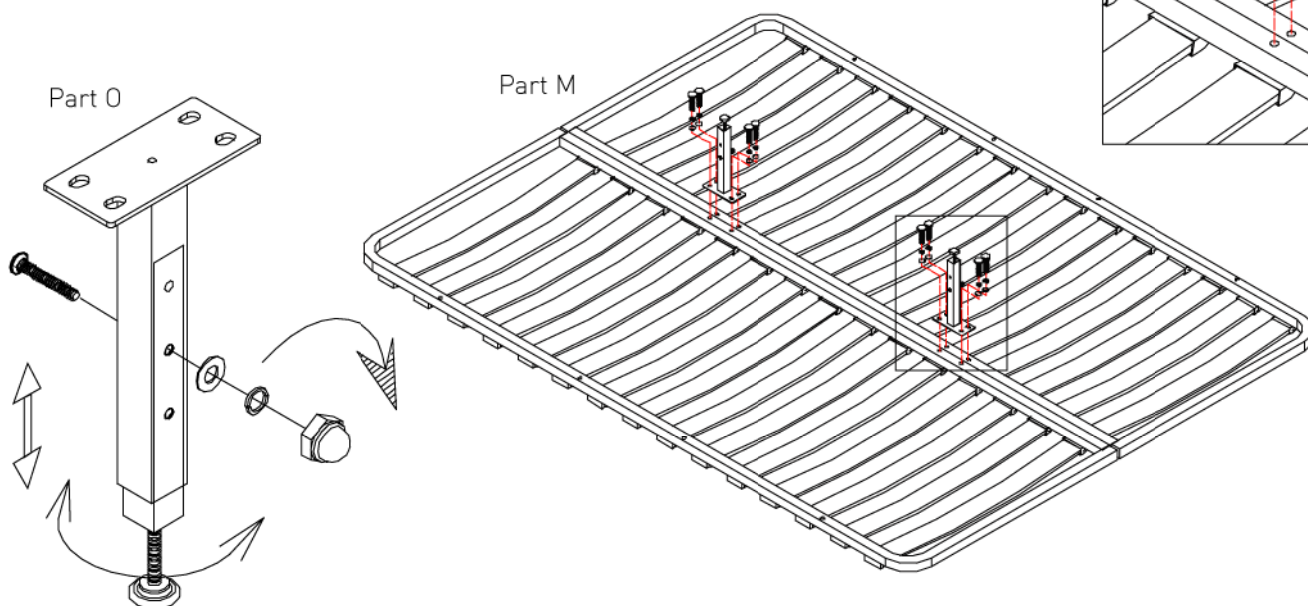
Ashton Bed

Step: 1



! In order to ensure that the side rails are firmly secured to the head and foot. It is recommended to tap the side rail in using a soft mallet. The side rail should be covered with a towel to prevent damage.

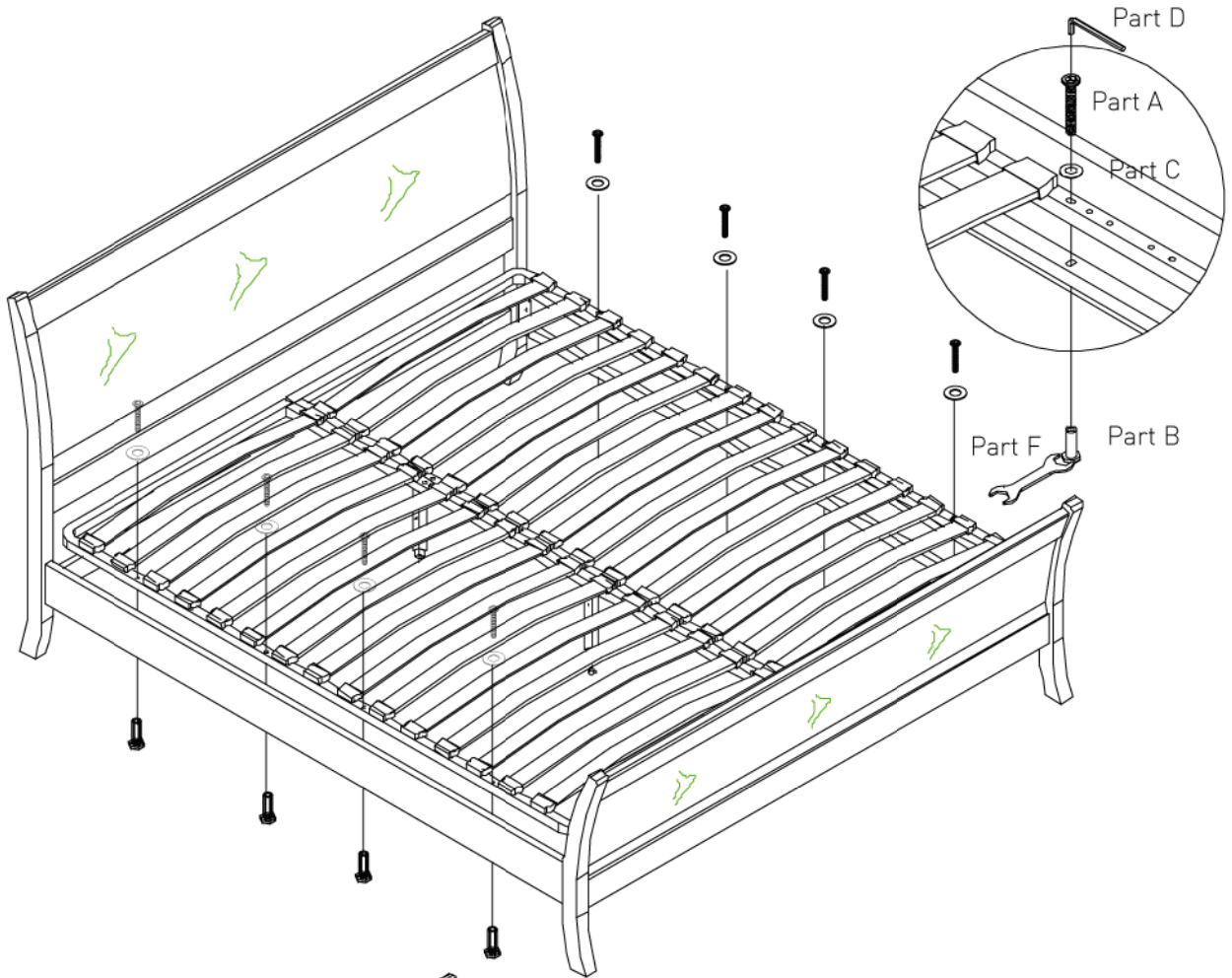
Step: 2



Assembly Instructions

Ashton Bed

Step: 3



Finished:

